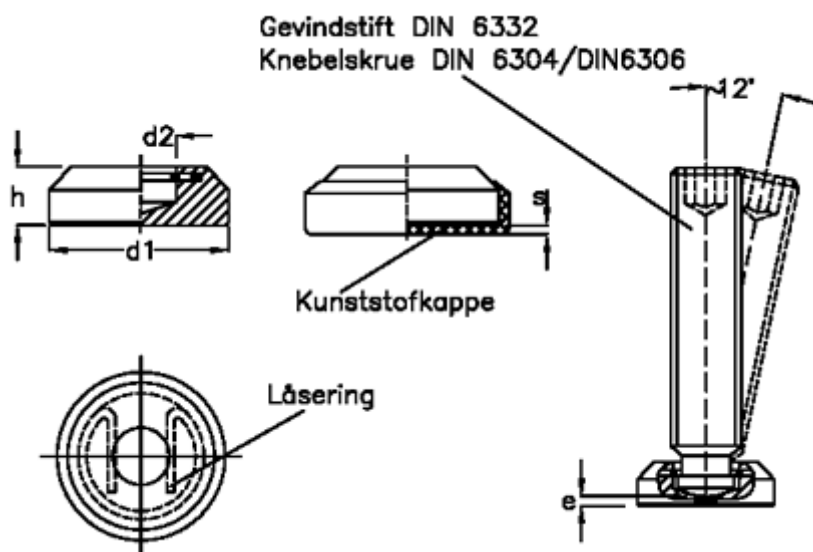


Article number: 20804030B

Description: E+G Thrust pad  
GN 6311.1-32-K

## Measures



|        |        |
|--------|--------|
| d1     | = 32   |
| d2     | = 12.5 |
| e      | = 4.5  |
| H      | = 14   |
| s      | = 1.5  |
| Thread | = M16  |